

SONY®

Service Bulletin

NO:PV1-02-002

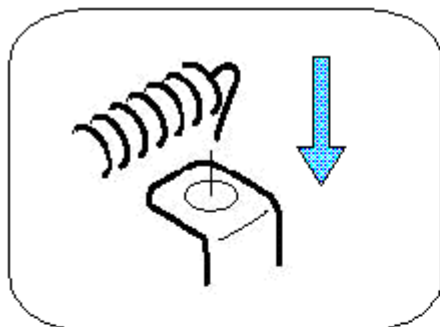
SUBJECT: Attention When Replacing The Cassette Compartment

DATE: 03/25/02

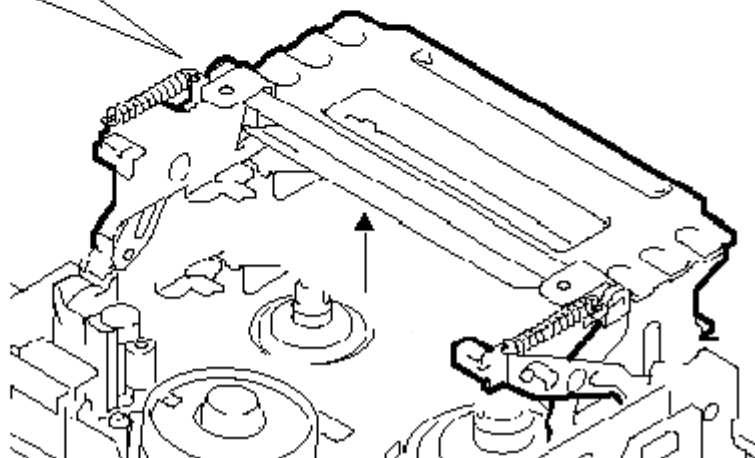
MODEL(S): MDX-M2000

Attention when replacing the cassette compartment. The repair part [coil spring] is missing from cassette compartment assy (X-3951-298-2), use the spring from the defective cassette compartment assy.

Spring attaching direction



R type hook should be put on ,like this picture, always in this direction of the arrow.



Applicable models

CCD-TR848/ CCD-TRV107/ CCD-TRV108/ CCD-TRV308/ CCD-TRV408/
CCD-TRV608/
DCR-TRV130 / DCR-TRV140 / DCR-TRV230/ DCR-TRV240 / DCR-TRV340/
DCR-TRV530/ DCR-TRV730/ DCR-TRV828/ DCR-TRV830

PV02MDX507

Sony of Canada Ltd.

115 Gordon Baker Road, Toronto, Ontario M2H-3R6
NATIONAL LAB – AVIT